

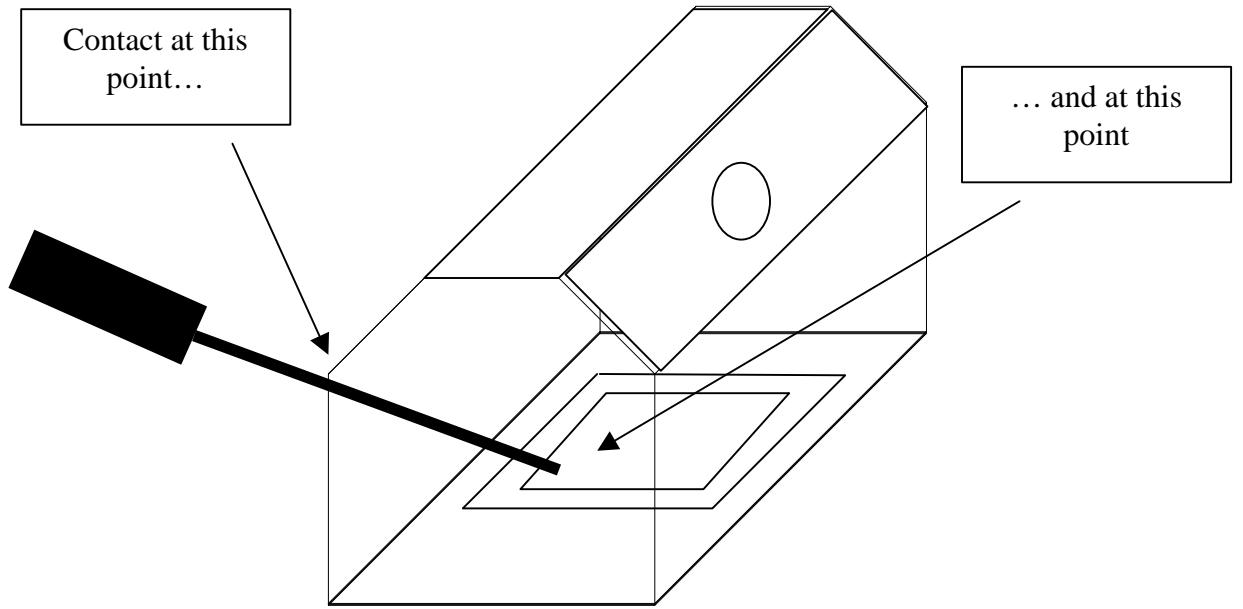
Quick Start

Please follow these important steps to ensure you get the maximum benefit from the Rat Zapper you have purchased (turn the page for pictures of items):

1. **Batteries** - Install the C-cell batteries and rotate them (see picture of Battery Holder). This will ensure the batteries are touching the metal contacts on the ends of the battery holder. Also, ensure the 9 volt battery is installed in the back of the zapper. All batteries should be new, alkaline batteries.
2. **Check Button and Light** - These are NOT intended to test the zapper. These DO tell you whether there is a rodent in the trap.
3. **Testing the Rat Zapper** - WARNING - this step is purely optional - use caution - please read all warning labels on product
 - place yellow Power Supply and metal Electrocutation Chamber on the edge of a bench or table
 - turn the zapper Main Switch ON
 - touch the metal tip of a plastic-handled screwdriver against the inside top of the Chamber and slide it in until the tip touches the Kill Plate (see See-thru View of the Chamber)
 - to trigger the zapper, you must maintain contact between the inside of the Chamber and the kill plate
 - the zapper alarm should sound and you should see a spark between the screwdriver and the Kill Plate
 - to reset the zapper, turn the Main Switch OFF and then back ON
4. **Runway Placement** - Place the Electrocutation Chamber on a flat, level surface **against a wall** in an area where there is suspected rodent activity. Remove other traps and sources of food.
5. **Pre-baiting Strategy** - Rats are intelligent and wary. Therefore, we recommend that you pre-bait your zapper.
 - drop some dry bait through the bait hole into the Bait Dish in the Chamber (see Breakaway View of Electrocutation Chamber), but leave the Main Switch OFF
 - place some bait out in front and in back of the Chamber
 - when the bait has been taken from inside the Chamber, re-bait and turn the Main Switch ON

After zapping your first rodent, the others will be more interested in the zapper. Dispose of the rodent, then reset the zapper by turning the Main Switch OFF and then back ON. If the bait is not being taken, try a different bait or try moving the trap or call Agrizap, Inc. for more suggestions.

For more details, please read the attached Product and Safety Manual. We believe you will find our Rat Zappers to be the most effective way to deal with an unpleasant problem. Let us know how it works for you by calling us at (888) DEAD-RAT (332-3728). Thanks.



See-thru View of Chamber For Test Zapping

Frequently Asked Questions (FAQ)

1. **Q: I turn on my unit and press the “Check Button,” but the “Check Light” doesn’t go on. How come?**

A: The Check Button is intended to check whether a rodent has triggered the zapper. If a rodent has NOT triggered the zapper, the Check Light should NOT go on.

2. **Q: The bait is gone, but the Check Light doesn’t go on. How come?**

A: There may be gaps between the C-cell batteries which prevent the zapper from zapping. Open the large battery door and rotate the C-cell batteries. Make sure you have a fresh 9 volt alkaline battery installed in the zapper. Also, see FAQ #4.

3. **Q: The bait is gone, and the light goes on, but there is no mouse or rat. How come?**

A: The zapper is sensitive to moisture. Rain, dew, or condensation can trigger the zapper. Make sure the zapper is dry. Moist bait can trigger the zapper. Shake the Electrocutation Chamber so that the bait is all the way at the back by the Kill Grill. If that doesn’t help, check the 9 volt battery; it could be low. Occasionally, a large cockroach can set off the zapper. If you suspect you have roaches, you may want to place a roach trap near the zapper.

4. **Q: How to I test the Rat Zapper?**

A: Using a plastic handled screwdriver, put the shaft of the screwdriver against the upper inside front edge of the unit and touch the tip of the probe on the metal pad which you see near the center of the tube. A rather substantial spark and "zap" will occur indicating the Rat Zapper is operating properly.

5. **Q: How do I clean the zapper?**

A: Make sure the zapper is OFF and the batteries are removed when cleaning the zapper. Rats are wary, but they are more likely to enter the zapper if it smells like a rodent. If you must clean the zapper, flush the Chamber out with a garden hose. If that is not sufficient, you can use electronic contact cleaner and/or a **nylon bristle** brush. Contact cleaner contains alcohol and is combustible, so be sure to allow several minutes drying time before testing.

6. **Q: Why does the alarm sound or why does the Check Light come on when I turn the zapper on?**

A: Two main reasons for this: rodent urine or dead 9-volt battery. Usually rodent urine is not a problem because it evaporates fairly quickly, but it can cause problems. See FAQ #4 on how to clean the Rat Zapper. Also, you could have a 9-volt battery that is low. Try replacing it with one that is known to be good.

7. **Q: The zapper seems to zap, but I keep finding it triggered with the bait gone. Why?**

A: Again, this could be due to moisture from condensation or high humidity, but there may be a more gruesome cause. Rats and mice can be cannibalistic. When one gets zapped, it is possible that the others are dragging the body away and stealing the bait. To test this theory, try sprinkling some flour in front of the zapper to see if you can detect any dragging. Occasionally, a large cockroach can set off the zapper and rats like eating those too!

8. **Q: They won’t take the bait. What should I do?**

A: Rats are wary of new objects in their environment. We suggest that you place some bait in the Electrocutation Chamber and some bait out in front. If they don’t even take the bait in front of the Chamber for **three** days, try these suggestions:

- Change the bait. Either try something you know they are eating, or if food is plentiful, try offering them something wonderful and different.
- Move the zapper. Rats and mice are creatures of habit. They move along the same runway patterns over and over again. You may have placed the zapper in an old runway pattern. Everytime you move the zapper, it becomes a new object in the environment, so pre-bait for three days if necessary.
- Remove other traps and sources of food. Once you zap, you will never go back to those old traps.

9. Q: How come the other traps are catching rodents and the zapper is not?

A: The main reason is that the other traps are an alternate source of food for the rodent. The other common reason is that the other traps are placed in a better position in the rodents' runway patterns. If you remove the other traps, you will soon find yourself in Rat Zapping bliss.

10. Q: Why should I use the zapper instead of other traps?

A: Other traps like snap traps and glue boards create "trap shyness" in rodents. There is visible, audible, and scent trauma associated with a death in a snap trap or glue board. Snap traps can be bloody and always cause rodent disconfiguration. Glue boards may take hours or days to kill a rodent. Do you think the others like that? With the zapper, "trap shyness" is eliminated because the kill is always instant and the rodent is left perfectly intact as though it is merely sleeping.

11. Q: How long do the batteries last?

A: New alkaline C-cells will typically last for over 100 rodent kills and over one year. A new alkaline 9 volt should be checked every three months when the zapper is left on most of the time.

12. Q: How do I determine if the batteries are working?

A: If you trigger the zapper as in FAQ #4, you should see a good ¼" spark. When the spark begins to dwindle, this is a sign that you should change the 9 volt battery. You will be using the zapper a long time before you need to worry about replacing the C-cell batteries. If there is no spark, refer to FAQ #2.

13. Q: Can the zapper zap more than one rodent at a time?

A: No. Every time you zap one rodent, you must dispose of it, then reset the trap by turning it OFF and then back ON. However, if you have a large number of rodents to eliminate, you will find one of our remote monitoring systems helpful. These systems allow you to set up multiple zappers and monitor their activity from one location.

14. Q: Is it OK to use the zapper outside?

A: The Rat Zapper is the best way to eliminate rodents indoors. Some of our clients use the zapper outdoors, but precautions must be taken. If you place the Power Supply inside a plastic bag, you will reduce the risk of moisture entering the zapper. Water damage is NOT covered by our warranty. Also, water can trigger the zapper, so you may want to cover the Electrocutation Chamber with a small tarp.

15. Q: I've tried all your suggestions and the zapper is not working, what should I do?

A: Call Agrizap, Inc. Technical Support and we will repair or replace the unit for you. If your unit is still under warranty, there will be no charge. You can contact Technical Support at (888) DEAD-RAT (332-3728) or (805) 654-1117 or by email at tech@agrizap.com.

AGRIZAP
INC.

ENVIRONMENT FRIENDLY TECHNOLOGY



PRODUCT AND SAFETY MANUAL
FOR
RAT ZAPPER™

TO ENSURE YOUR SAFETY READ THIS MANUAL BEFORE USING THIS
PRODUCT

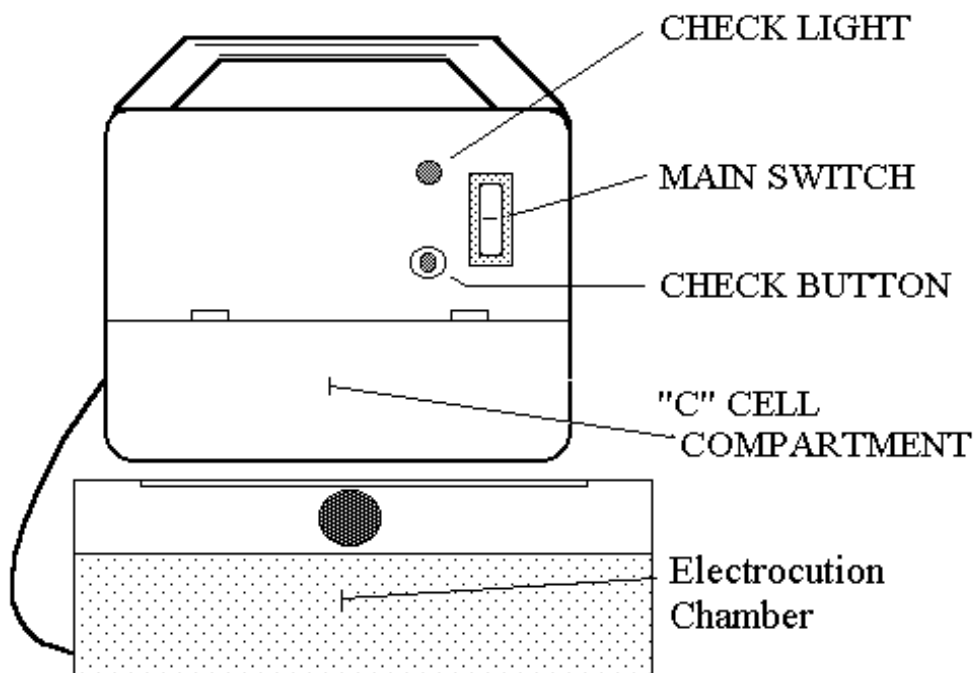
PLACE THIS DEVICE IN AREAS INACCESSIBLE TO CHILDREN AND PETS

1.0 INTRODUCTION

Congratulations! You have purchased the best in rodent control, the **RAT ZAPPER**. The RAT ZAPPER utilizes sophisticated electronics to kill rats and mice. It was developed by a group who became frustrated with the inadequacy of other RODENT control devices. These other devices were inhumane, harmful to the environment, messy, dangerous to non-target animals and generally ineffective in actual rodent control.

The RAT ZAPPER is so effective because all the RODENT has to do is enter the Electrocutation Chamber and touch the inconspicuous Kill Plate. A high voltage, low amperage current is then supplied by the Power Supply to the Kill Plate for approximately two minutes. The RODENT or similar pest is immediately rendered unconscious and after a short time killed.

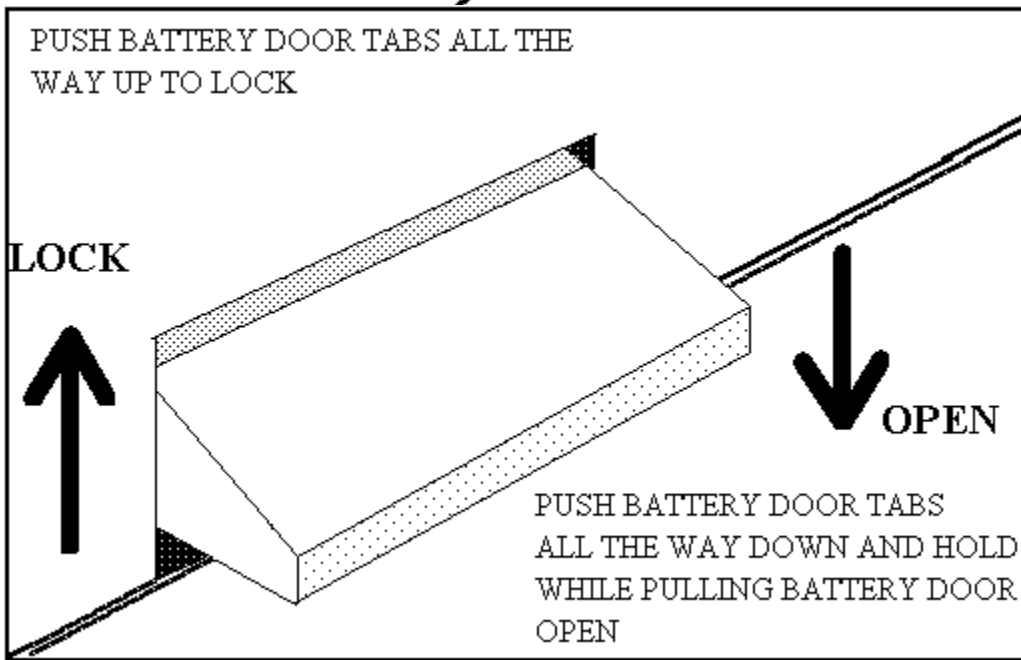
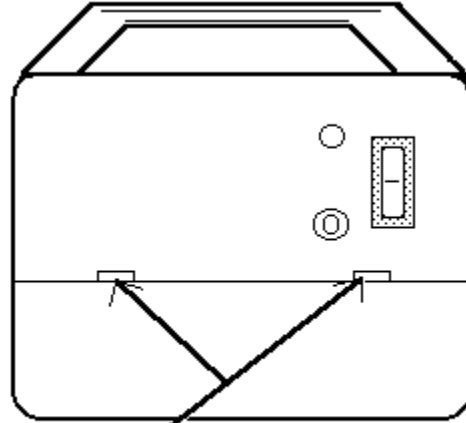
The RAT ZAPPER is safe and easy to use. We have provided numerous safety labels to instruct you on what **not** to do. The high voltage is only present when the electronic circuitry senses that a rodent has stepped on the Kill Plate inside the Electrocutation Chamber. It is then applied for only two minutes after which it is automatically turned off. An audio alarm sounds for the two minutes when the high voltage is present inside the Electrocutation Chamber. After the the rodent is removed, the unit must be reset by turning the main power switch off and then back on.

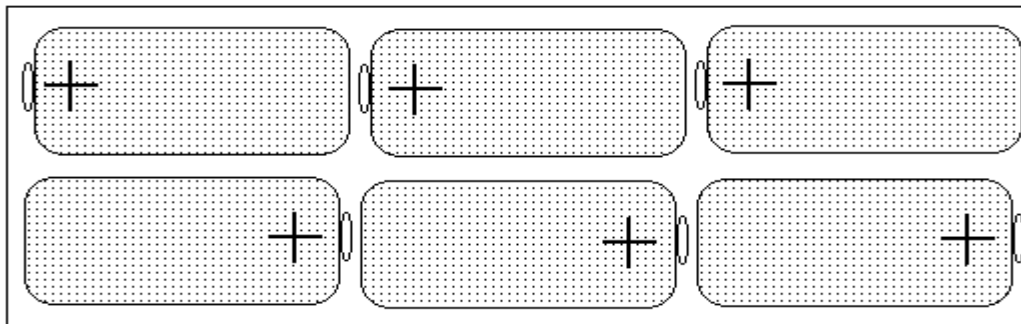


PLACE THIS DEVICE ONLY IN AREAS INACCESSIBLE TO CHILDREN AND PETS

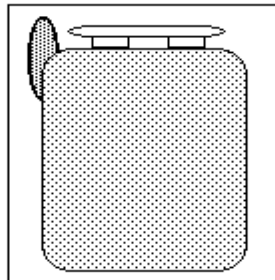
2.0 DIRECTIONS FOR USE

1. Before handling this product and at all times prior to use, insure that the main switch is in the **OFF** position. Install six C-cell alkaline batteries in the front battery compartment and an 9 volt alkaline battery in the rear battery compartment.



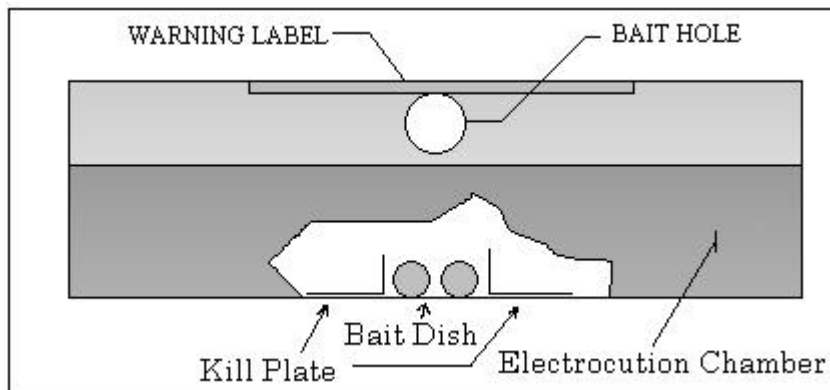


"C" CELL BATTERY
POSITIONS IN FRONT
COMPARTMENT



9 VOLT BATTERY
POSITION IN REAR
COMPARTMENT

2. Drop a small amount of **DRY** bait into the bait hole located at the top side of the Electrocutation Chamber. Dry dog food (Purina Dog Chow works great) is recommended as bait. When the bait is dropped into the bait hole, make sure that it remains in the Bait Dish in the Electrocutation Chamber. Make sure that the bait is not “bridging the gap” between the Kill Plate and the sides or bottom of the Electrocutation Chamber.



3. Anything new, including a Rat Zapper, introduced into the rat's environment is viewed with great caution. It may be important to properly locate your Rat Zapper and leave it in place for several days. Factors such as hunger will dictate the length of time it will take for the first rat to enter the canister. Once you are successful with your first kill, the rat will have marked the canister and other rats will follow more readily. Do not clean the canister after each kill. The rat's sense of smell is very acute and the prior presence of a rat in the canister will lessen the fear of other rats. If the canister becomes so soiled that the unit trips whenever it is turned on, the internal plates may be cleaned by flushing with a garden hose, scrubbing with an old tooth brush, or flushing with electronic contact cleaner . Before cleaning REMOVE ALL BATTERIES FROM THE UNIT.

4. Place the Electrocutation Chamber and Power Supply in the area of suspected rodent activity, positioned so that the rodent can easily enter the Electrocutation Chamber. Keep in mind that rodents **do not** run across open spaces but prefer to run along walls or under objects. Look for signs of chewing or concentrations of rodent droppings.
5. After the Electrocutation Chamber and Power Supply have been positioned, turn the main switch to the ON position. The check light should be **off** and will not come on until a rodent has tripped the RAT ZAPPER.
6. **DO NOT PICK UP THE ELECTROCUTION CHAMBER OR INSERT HANDS INTO THE ELECTROCUTION CHAMBER WITHOUT FIRST TURNING THE MAIN POWER SWITCH OFF.** If at any time you wish to check and see if your RAT ZAPPER has been tripped, depress the **check button**. If the red check light comes on while the check button is depressed, the RAT ZAPPER has been tripped.
7. **TURN THE MAIN SWITCH OFF** before touching or handling the Electrocutation Chamber or wires. Do not insert hands or any conductive objects into the canister without first turning the main power switch **OFF** and removing the "C" cell batteries.
8. Dispose of the rodent carcass by gently shaking it out of the canister and into a suitable receptacle. This can be done without having to touch the rodent. (Rodents are disease carriers and **should not** be handled without protecting your hands.) The unit may now be reset by repeating the above directions, starting at step 2.
9. Do not use this product near flammable vapors, liquids, or dry ignitable solids. Contact of this product with water will increase the potential of failure or shock hazard.

3.0 WARNINGS

We must remind you that the RAT ZAPPER is designed to deliver a substantial electric shock. The RAT ZAPPER must not be misused. Great care must be taken to keep it away from children and pets. Adults with any physical limitations must also exercise great care in its use.

Also, because of the high voltage nature of the device and the resulting magnetic field which is created. Do not place the Rat Zapper directly next to sensitive electronic equipment including telephone lines, telephones, answering machines, tape recorders, cassette tapes, computer floppy disks, computers, any form of magnetic media, video cassette tapes, et. al.

Every precaution has been taken to make this device as safe as possible, including the use of 20KV silicone insulated wires, an audio alarm to indicate when high voltage is present, the placement of warning labels on the Power Supply and Electrocutation Chamber, and complete instructions for proper use of your RAT ZAPPER. Please follow all instructions and respect all warnings.

Specifically:

- Never touch a rodent with your bare hands.
- Be **very careful not to inhale** the dust from rodent droppings or urine when cleaning up. Air born particles from rodent feces can contain dangerous viruses such as the Hantavirus. If you are in an area that is infected with, or suspected of being infected with the hantavirus, contact the local government or a local Pest Control Operator to assist in identification and clean up.
- A mixture of one part household bleach and four parts water may be used to clean the Rat Zapper canister.
- DO NOT allow children to play with, have access to, or be in proximity of the RAT ZAPPER.
- Keep pets away from the RAT ZAPPER.
- Individuals with heart conditions or similar ailments should exercise particular care when using this device.
- Make sure the RAT ZAPPER is turned "OFF" at all times except when in use.
- DO NOT handle the Electrocutation Chamber when the power switch is in the **ON** position.
- DO NOT attempt to repair this device yourself.
- The RAT ZAPPER is not waterproof. Therefore, do not leave it in the rain or near operating sprinklers.
- DO NOT use or store this device near flammable liquids, gas, fumes or any other flammable substances.
- DO NOT use the RAT ZAPPER on ground that is soaked with water.

4.0 STORAGE

Store the Rat Zapper away from children. The manufacturer strongly recommends that all batteries be removed prior to storage.

5.0 LIMITED WARRANTY

Agrizap, Inc. extends a warranty to the original purchaser of the RAT ZAPPER that the product will be free from defects in workmanship and materials for a period of two years from the date of purchase. Agrizap, Inc.'s obligation under this warranty shall be limited to repairing or replacing any part of the product which is defective. Service for this replacement or repair will be done free of charge upon delivery of the product to Agrizap, Inc. at 1860 Eastman Ave, Suite 111, Ventura, CA, 93003, accompanied by proof of the date of purchase in the form of a sales receipt or packing slip. Please call (805) 654-1117 first to obtain a Return Material Authorization (RMA) number. This warranty does not apply in the event of misuse or abuse of the product or as a result of unauthorized repairs or alterations.

Agrizap, Inc. shall not be liable for any consequential damages resulting from use of this product. This warranty does not apply to batteries used in this product or to any damage which may be caused by batteries, weather or other outside causes. Agrizap, Inc. shall not be liable for personal injury incurred due to use of the product inconsistent with instructions in this manual.

REV C 8/97